



Regulating Type Pulp Valve

Features

- Valve Body have ample wall thickness and sturdy built
- Bolted lower plate incorporating CAF gasket for sealing.
- Simple Design with easy replaceable of parts
- Size Range : 2" (50 mm) – 20" (500 mm)
- Packing Graphited Asbestos
- Operating handwheel fitted with G.M Sleeve threaded from outside & Inside, wheel fitted with threaded sleeve and for proper fitting check nut is also provided at the top
- ACME Double Start Threading

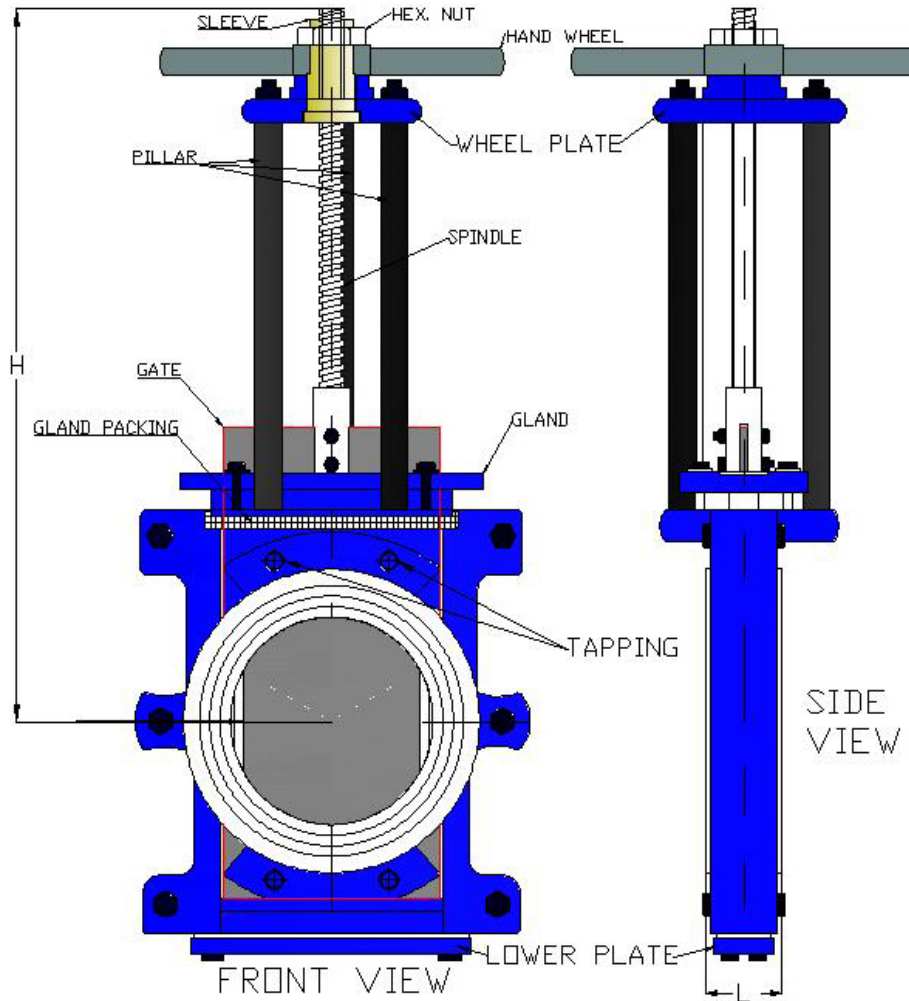
Size above 6" have 3 Pillars

Typical Applications

- Sewage Plants
- Pulp and Paper Services
- Dry Powder Hopper isolation applications

SECTIONAL VIEW

Dimensions



Nominal Size	L		H Ap px. mm	
	inch	mm		
2		50	50	310
2 ½		65	50	370
3		80	50	365
4		100	64	400
5		125	70	500
6		150	77	500
8		200	67	630
10		250	80	740
12		300	98	860
14		350	95	1000
16		400	115	1030
18		450	115	1200
20		500	120	1250

Size 8" Drawing (3 Pillars)

Address:

V.V. Valves Industrial Corporation.

25, Industrial Development Colony, Jalandhar Road, Hoshiarpur.(Pb.)-146001.

Contact Person: Er. K.S Rana

Er. Arjun Rana

Phone : 01882-252-207

Fax: 500-289

E-Mail : info@vvvalves.in

Visit Us At : www.vvvalves.in

NOTES

V.V. Valves